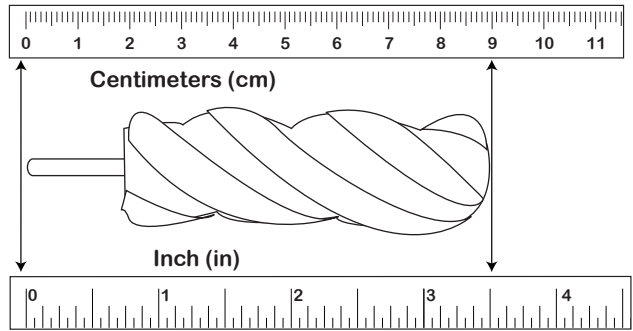
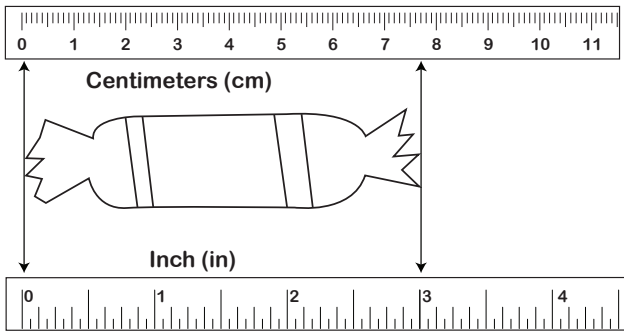


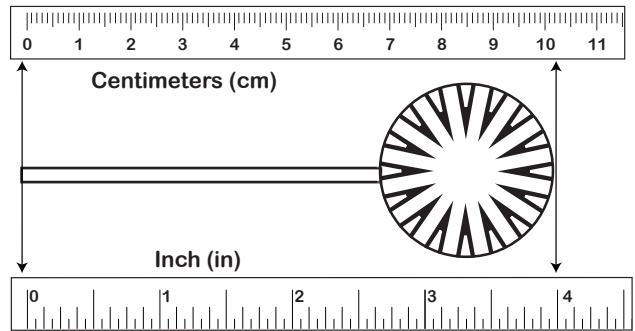
_____ inch _____ cm



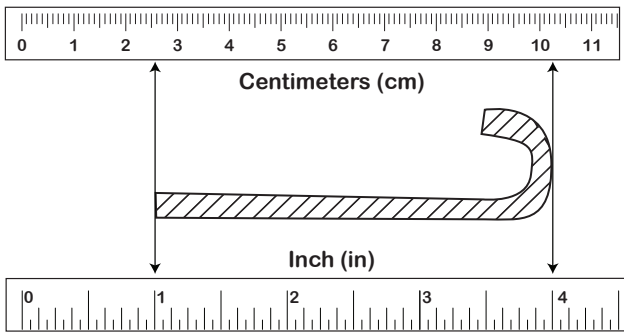
_____ inch _____ cm



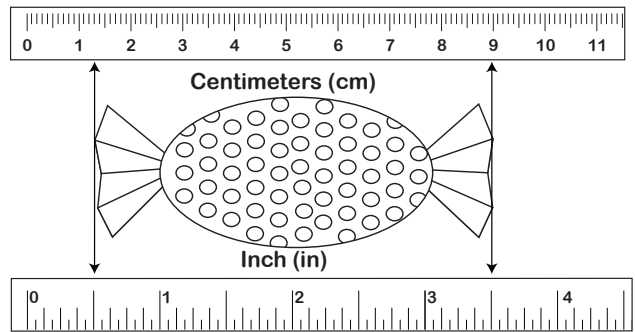
_____ inch _____ cm



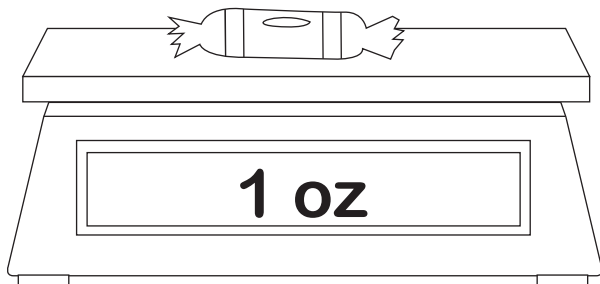
_____ inch _____ cm



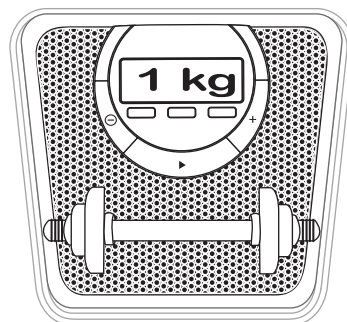
_____ inch _____ cm



_____ inch _____ cm



_____ oz _____ g



_____ kg _____ lb